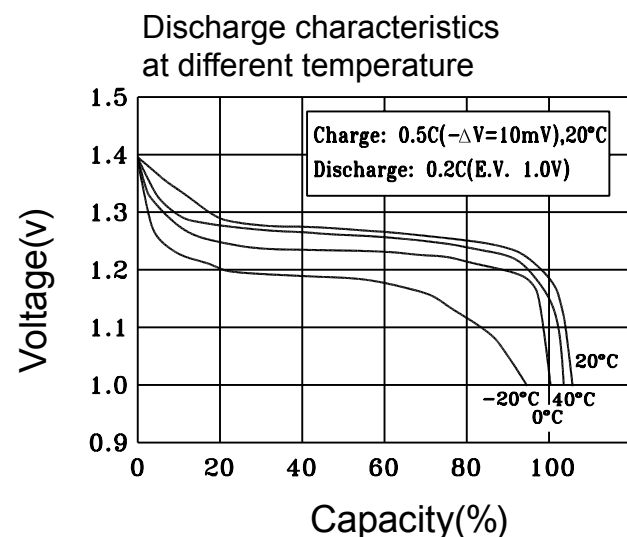
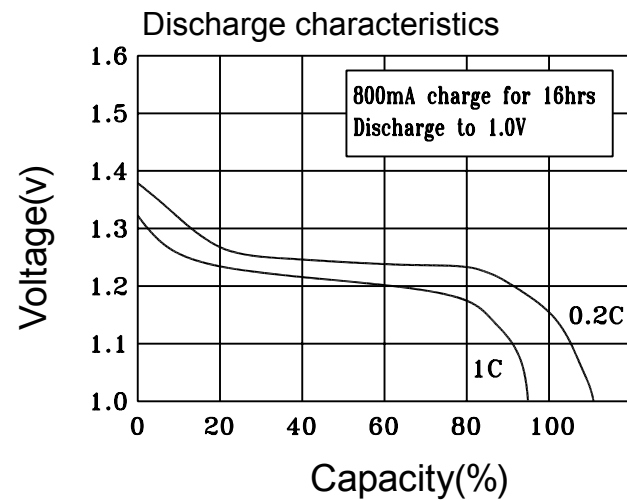
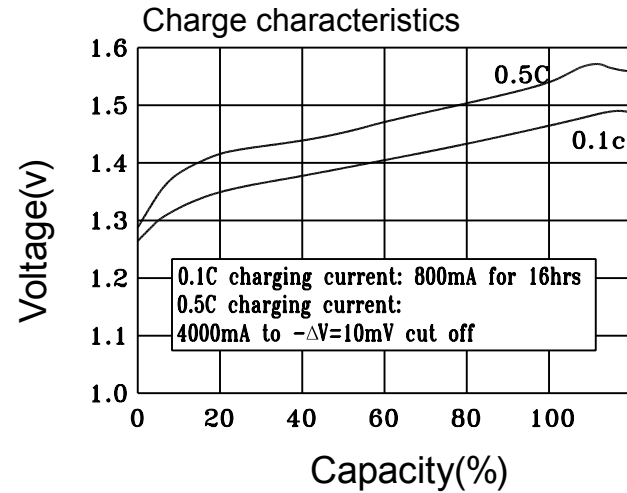


UE8000-D

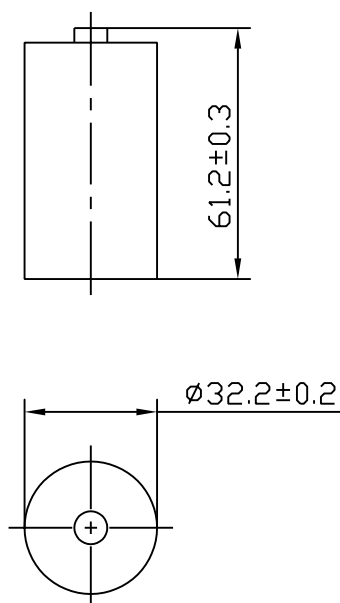
Ni-MH rechargeable cylindrical cell (Data Sheet)

Specification

Nominal Voltage		1.2V	
Dimensions	Diameter	32.2±0.2mm	
	Height	61.2±0.3mm	
	Apx. Weight	170g	
0.2C Discharge Capacity	Typical	8050mAh	
	Minimum	8000mAh	
Typical Internal Impedance		Less than 10mΩ	
Charge	Standard	800mA for 16hrs	
	Fast	4000mA for about 150min	
Life expectancy		500 cycles	
Operating Temperature	Charge	Standard	0°C to 40°C
		Fast	10°C to 40°C
	Discharge		-10°C to 50°C
	Storage	< 1 year	-10°C to 30°C
< 3 months		-10°C to 40°C	



Cell dimensions



(With tube)

1:1